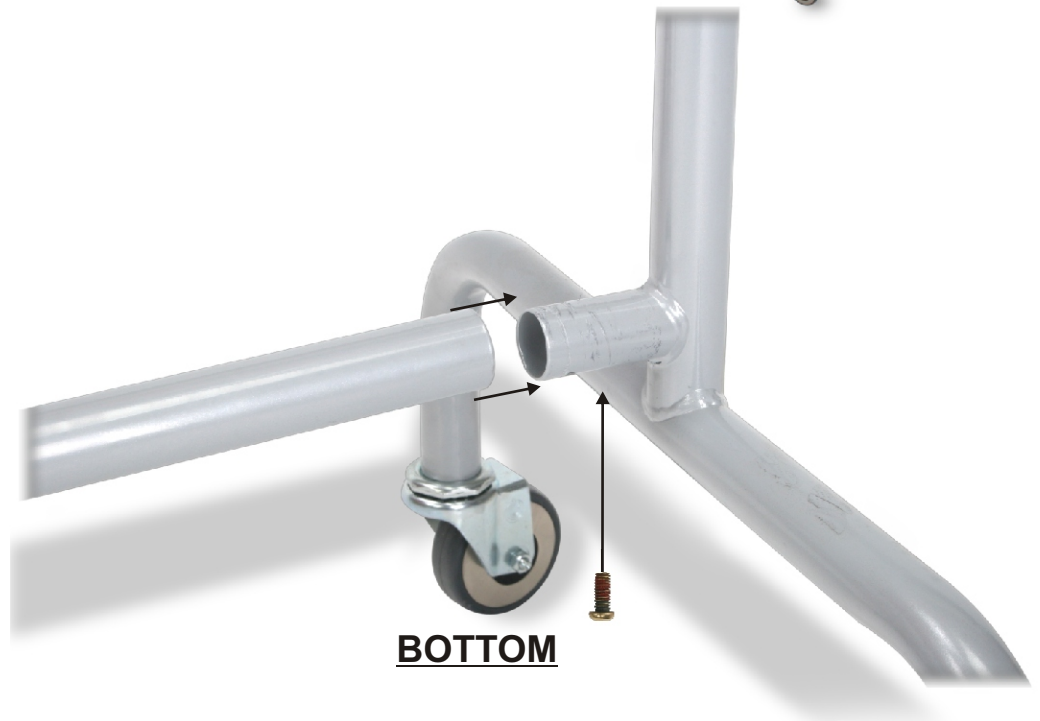
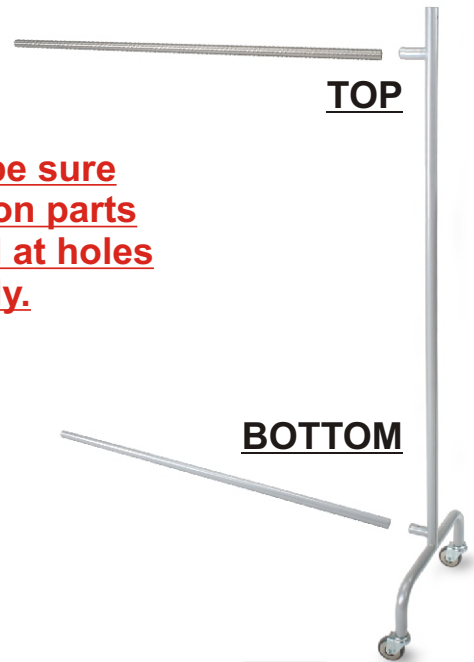
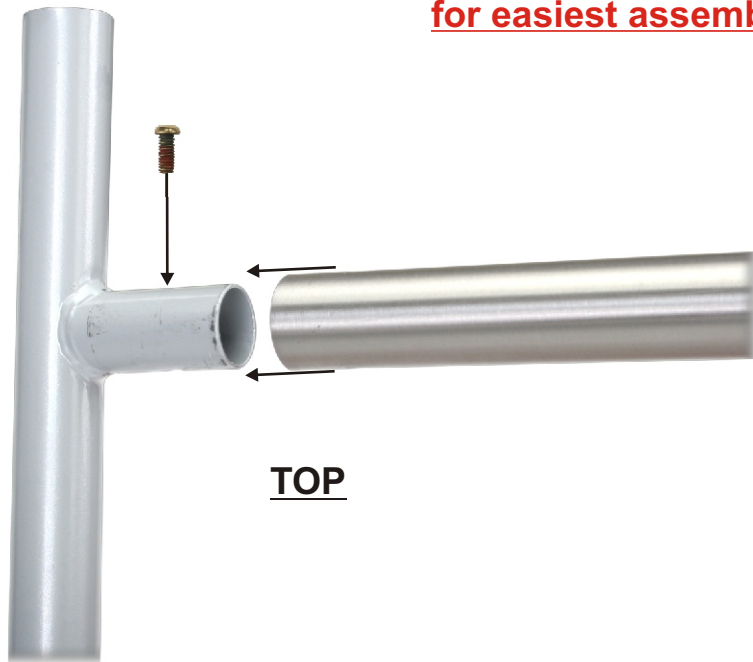


**1** Attaching Painted and Stainless Steel Tube

HARDWARE IDENTIFICATION  
(actual size):



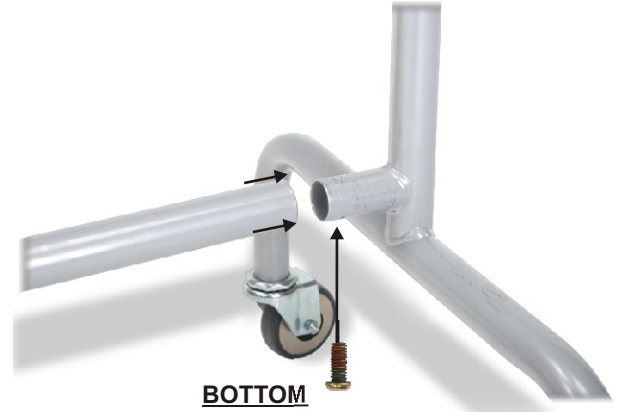
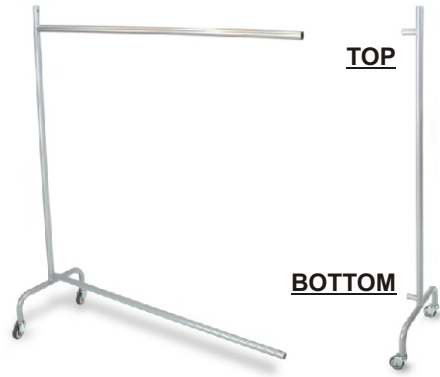
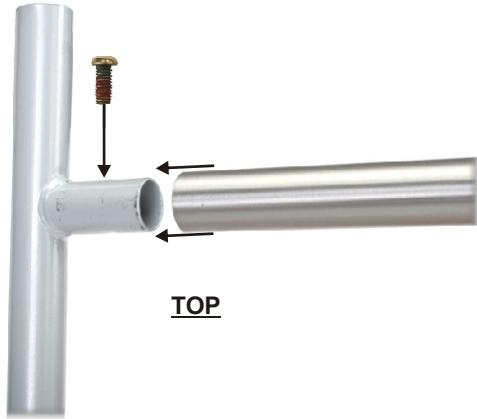
**When assembling be sure to match numbers on parts to numbers marked at holes for easiest assembly.**



2

### Attaching Second Side

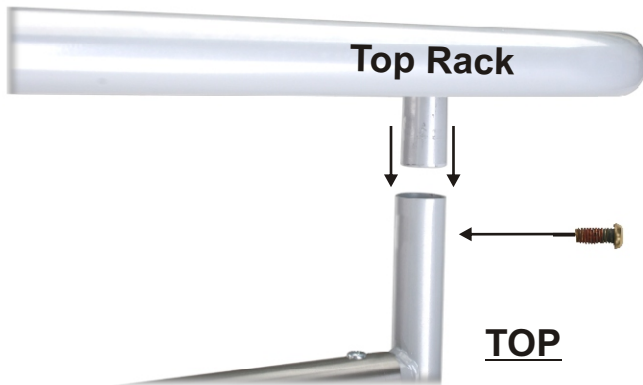
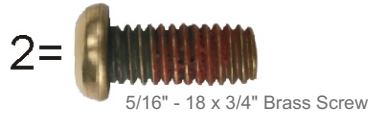
HARDWARE IDENTIFICATION  
(actual size):



3

### Attaching Top Rack

HARDWARE IDENTIFICATION  
(actual size):



**Finished Assembly**

