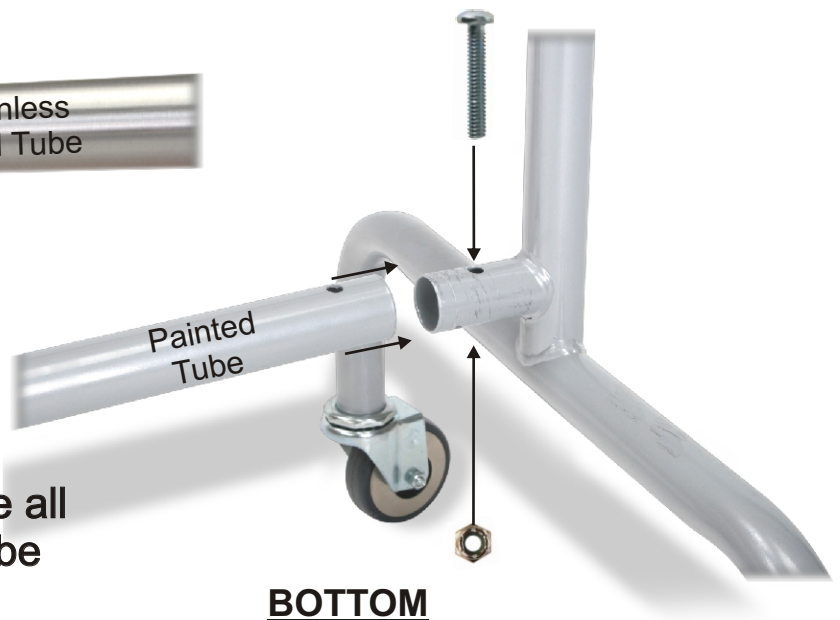
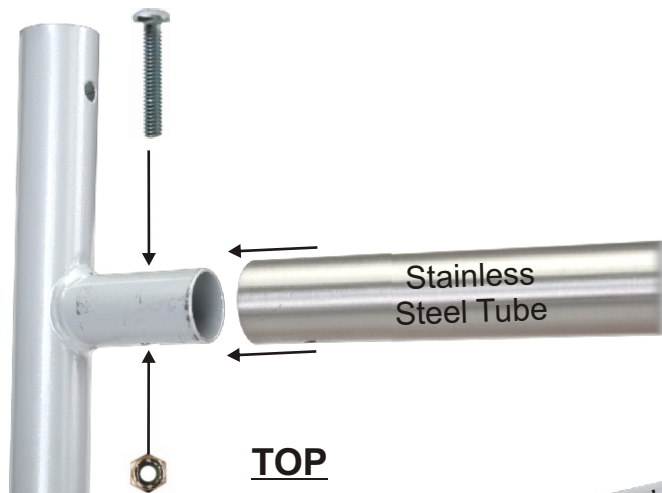
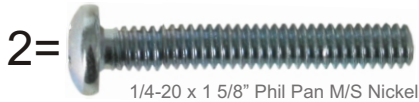


REQUIRED TOOLS: Medium Philips Head Screw Driver, 7/16 Wrench, Rubber Hammer

1 Attaching Horizontal Cross Tubes

HARDWARE IDENTIFICATION
 (actual size):

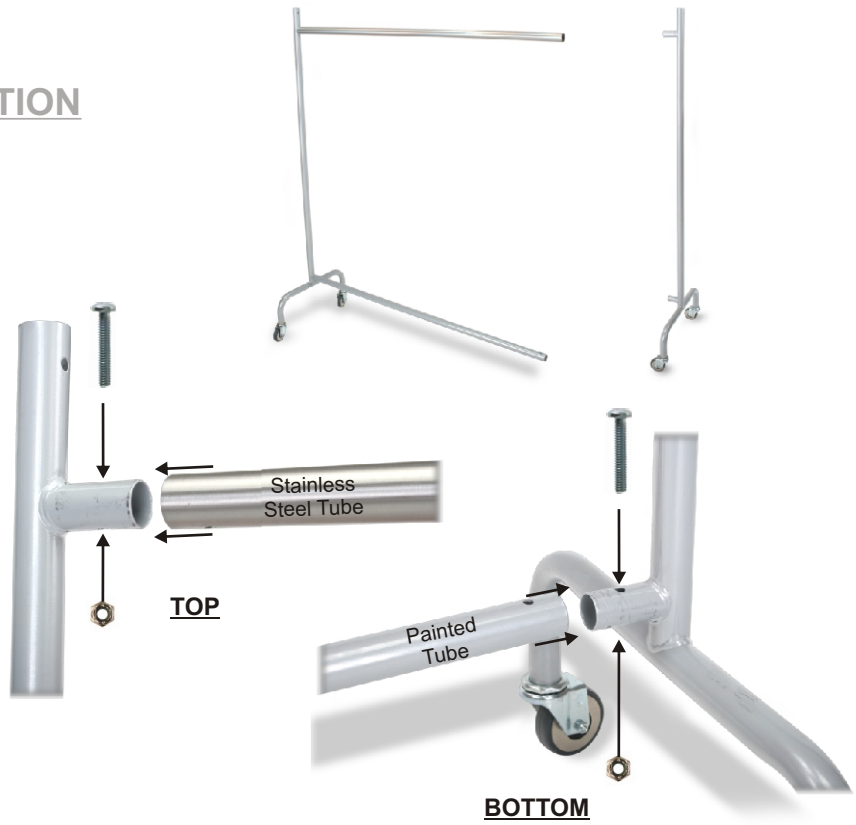
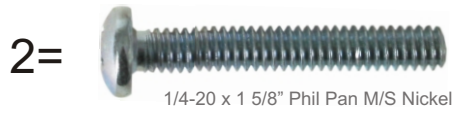


Please Note:
 Some models are all
 stainless steel tube

2

Attaching Second Side

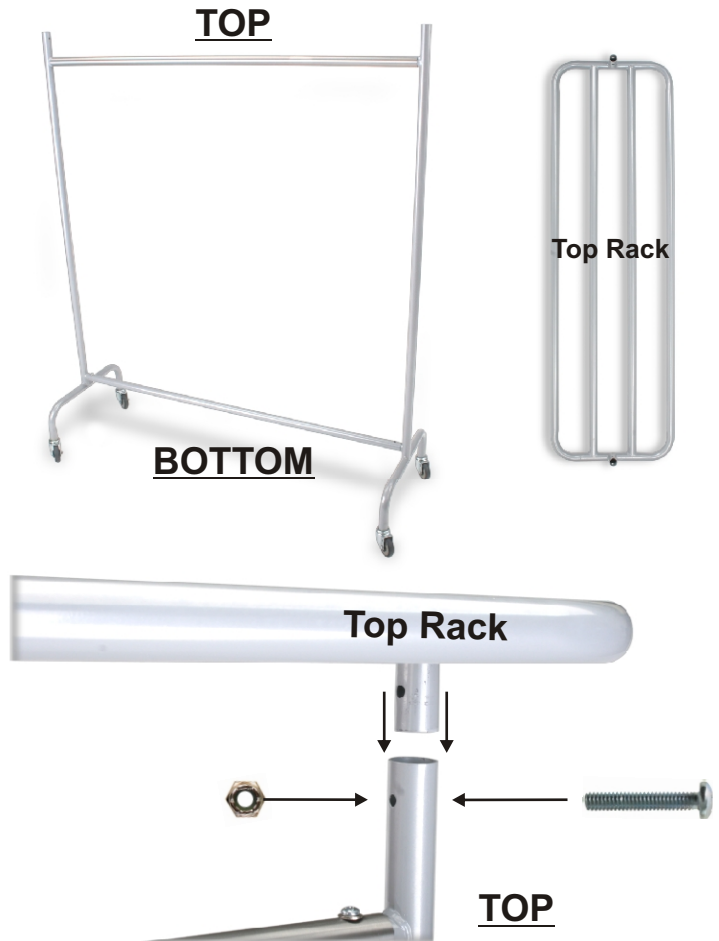
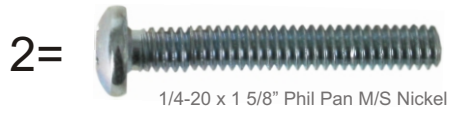
HARDWARE IDENTIFICATION (actual size):



3

Attaching Top Rack for Models 996 and 997

HARDWARE IDENTIFICATION (actual size):



Finished Assembly

